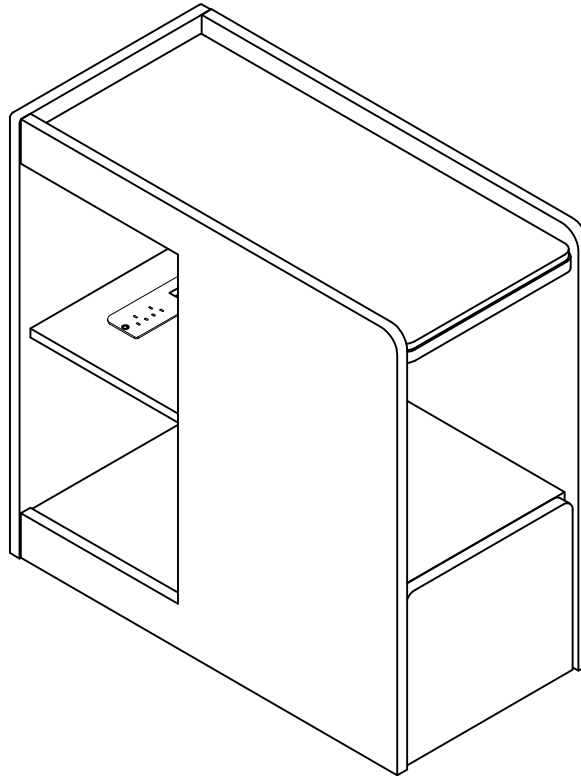


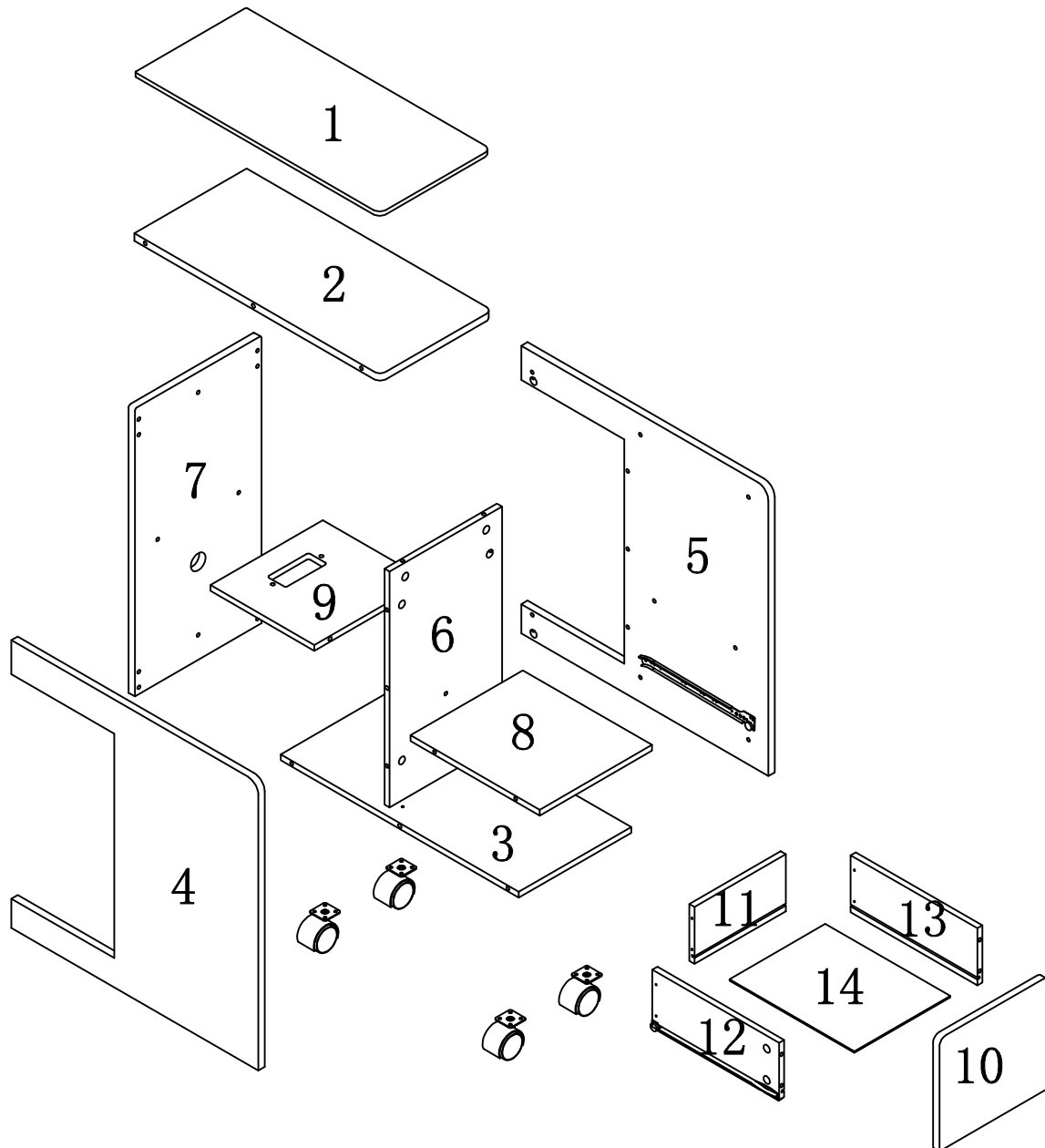
ASSEMBLY INSTRUCTIONS /
INSTRUCTIONS D'ASSEMBLAGE

ITEM NO/NO ARTICLE: LIAMBCST/253396



PARTS IDENTIFICATIONS / IDENTIFICATION DES PIECES

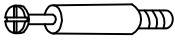



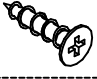


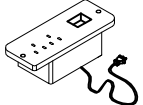
ITEM NO/NO ARTICLE: LIAMBCST/253396



(1)	1pc/pce	(8)	1pc/pce
(2)	1pc/pce	(9)	1pc/pce
(3)	1pc/pce	(10)	1pc/pce
(4)	1pc/pce	(11)	1pc/pce
(5)	1pc/pce	(12)	1pc/pce
(6)	1pc/pce	(13)	1pc/pce
(7)	1pc/pce	(14)	1pc/pce

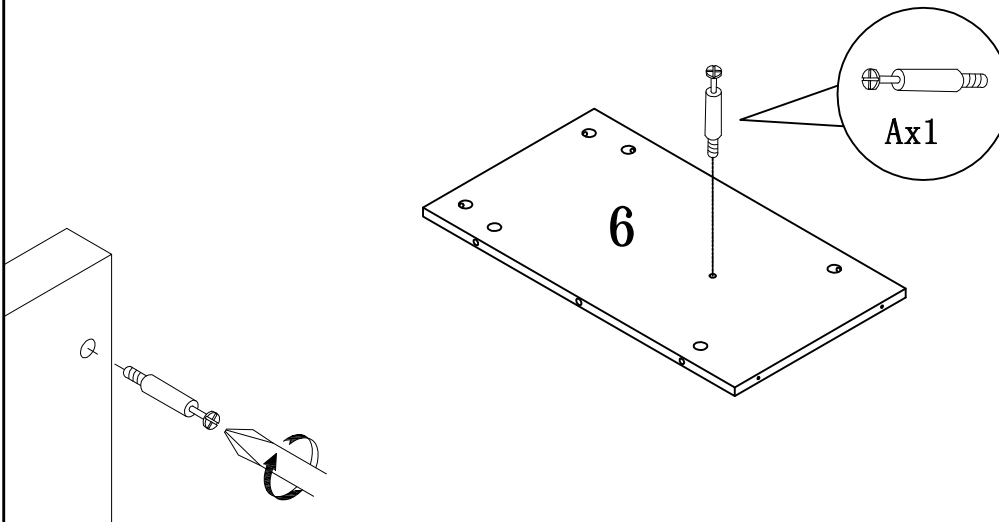
HARDWARE IDENTIFICATIONS/
IDENTIFICATION DU KIT D'ASSEMBLAGE

ITEM NO/NO ARTICLE: LIAMBCST/253396

A		L29	27pcs/pces
B		Φ 15	27pcs/pces
C		Φ 6x30	16pcs/pces
D		Φ 4x30	4pcs/pces
E		Φ 3.5x12	18pcs/pces
F		Φ 4x35	2pcs/pces
G		H55	4pcs/pces
H		L127	1pc/pce

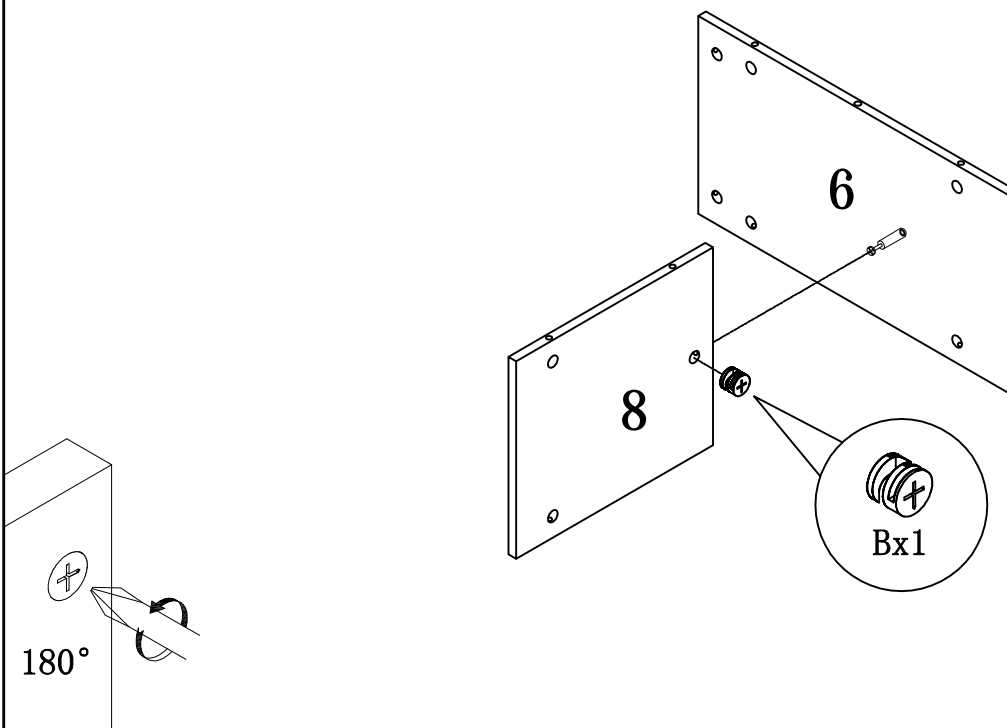
ITEM NO/NO ARTICLE: LIAMBCST/253396

STEP 1 / ETAPE 1



TOOLS REQUIRED (NOT INCLUDED)
OUTILS REQUIS (NON COMPRIS)

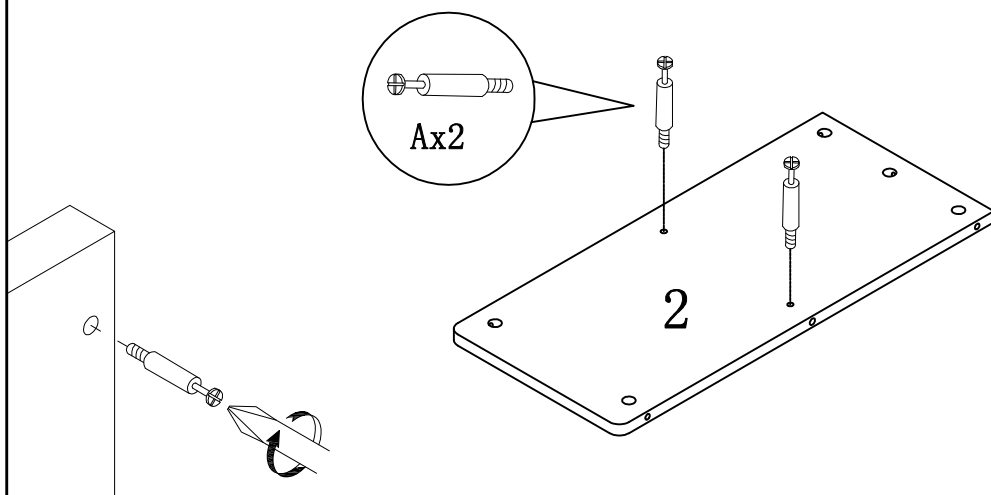
STEP 2 / ETAPE 2



TOOLS REQUIRED (NOT INCLUDED)
OUTILS REQUIS (NON COMPRIS)

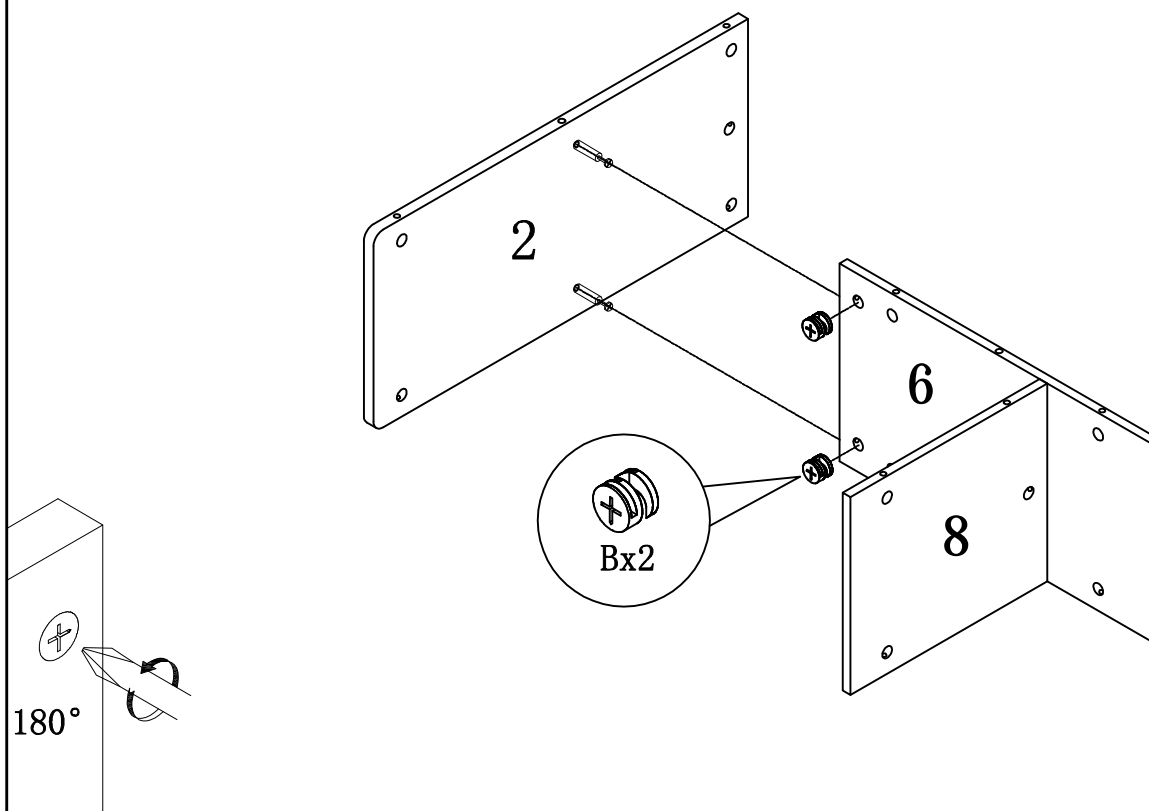
ITEM NO/NO ARTICLE: LIAMBCST/253396

STEP 3 / ETAPE 3



TOOLS REQUIRED (NOT INCLUDED)
OUTILS REQUIS (NON COMPRIS)

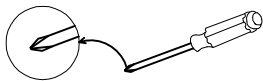
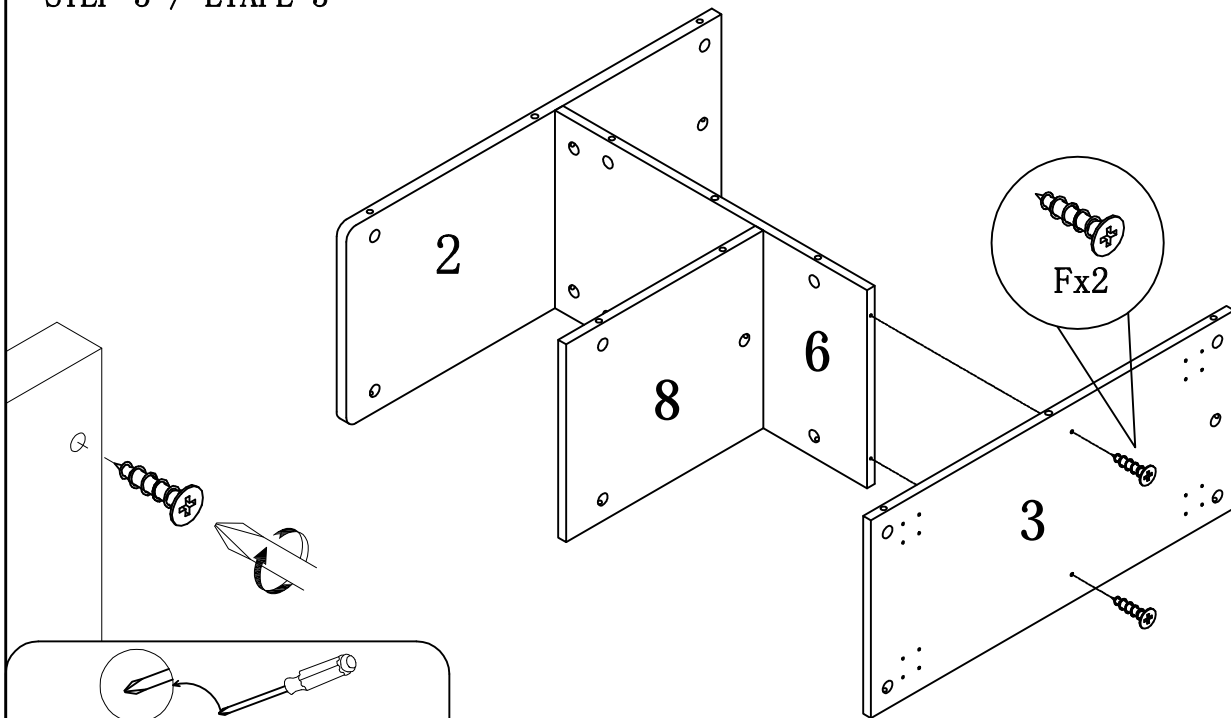
STEP 4 / ETAPE 4



TOOLS REQUIRED (NOT INCLUDED)
OUTILS REQUIS (NON COMPRIS)

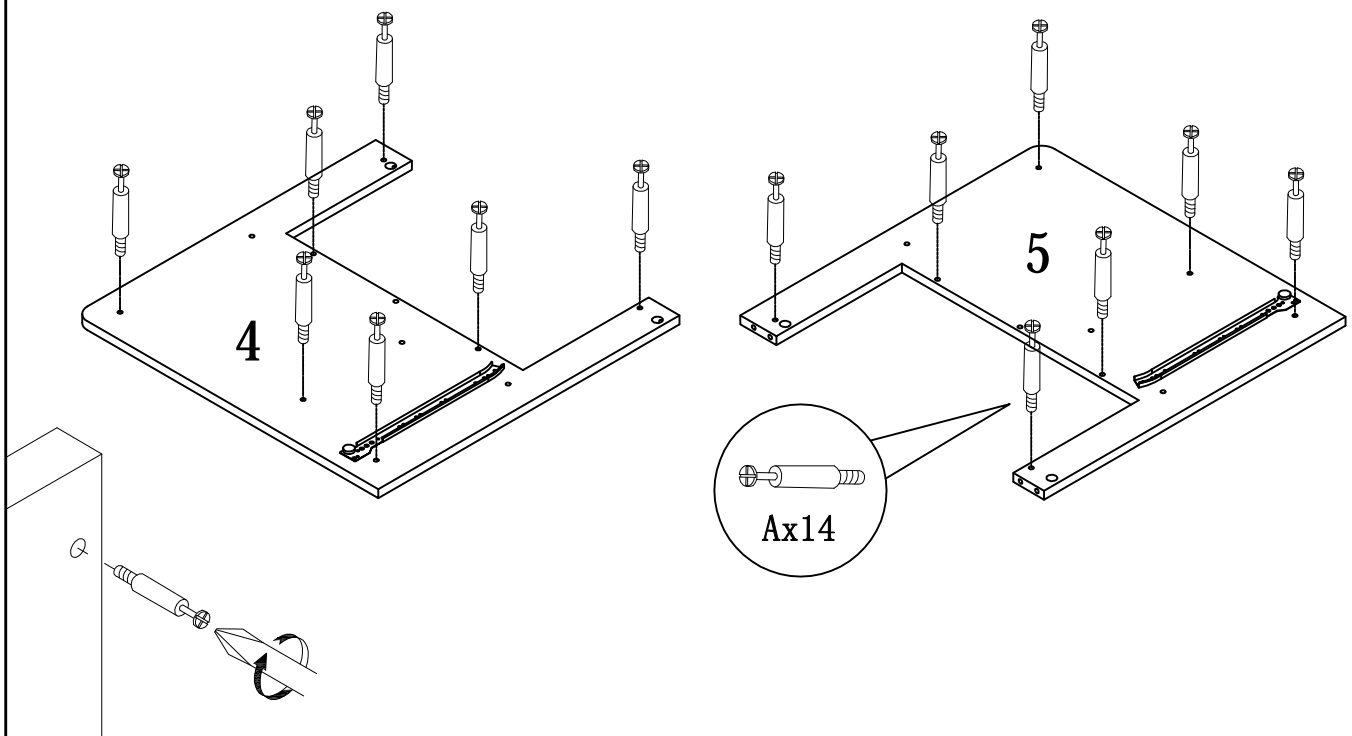
ITEM NO/NO ARTICLE: LIAMBCST/253396

STEP 5 / ETAPE 5



TOOLS REQUIRED (NOT INCLUDED)
OUTILS REQUIS (NON COMPRIS)

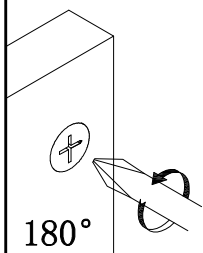
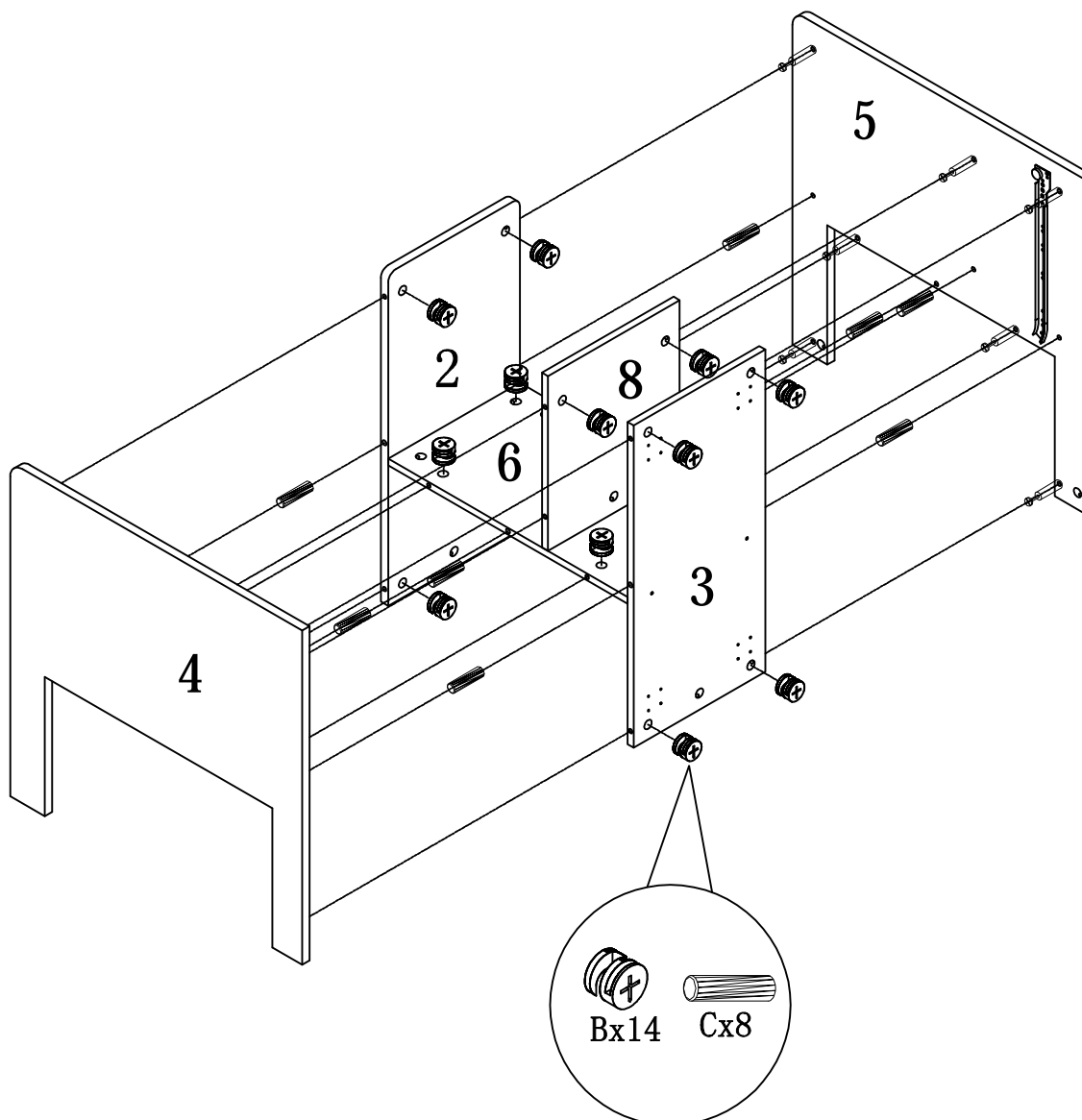
STEP 6 / ETAPE 6




TOOLS REQUIRED (NOT INCLUDED)
OUTILS REQUIS (NON COMPRIS)

ITEM NO/NO ARTICLE: LIAMBCST/253396

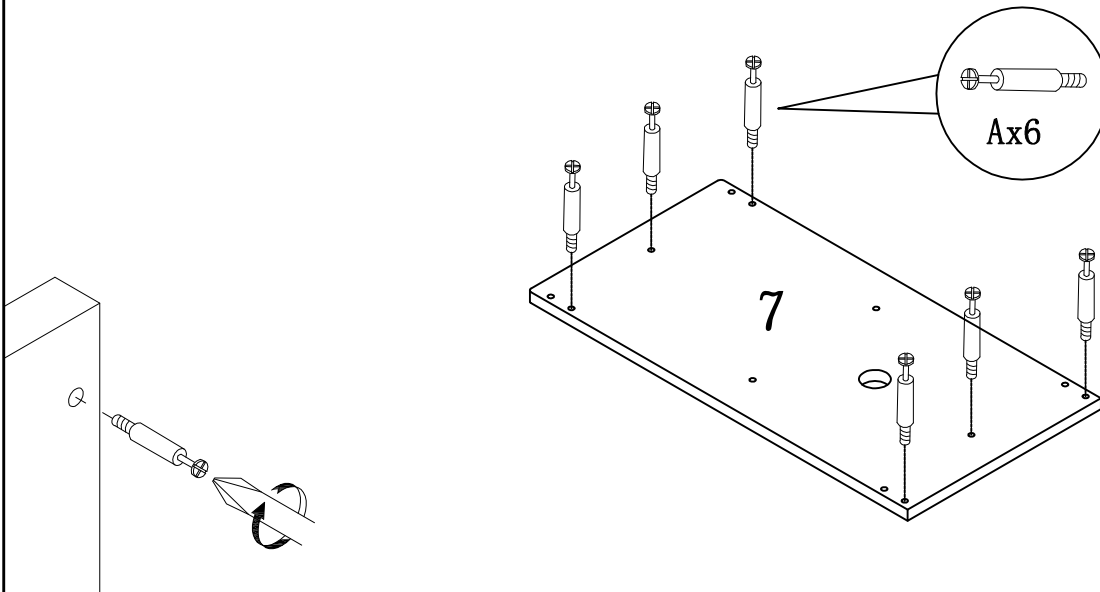
STEP 7 / ETAPE 7




TOOLS REQUIRED (NOT INCLUDED)
OUTILS REQUIS (NON COMPRIS)

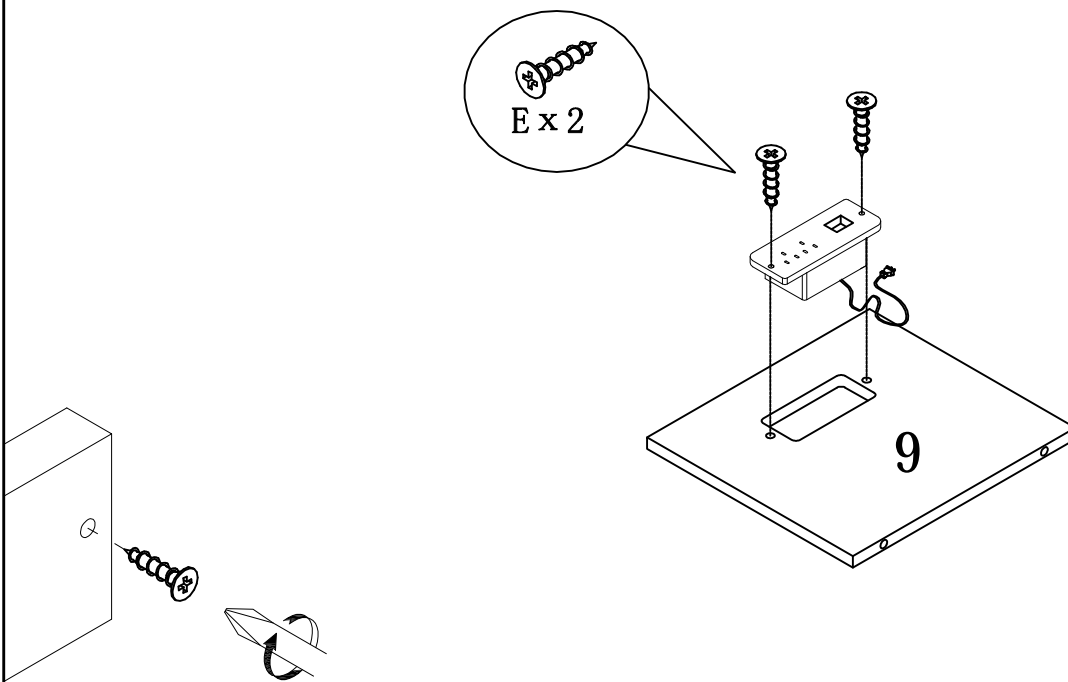
ITEM NO/NO ARTICLE: LIAMBBCST/253396

STEP 8 / ETAPE 8



TOOLS REQUIRED (NOT INCLUDED)
OUTILS REQUIS (NON COMPRIS)

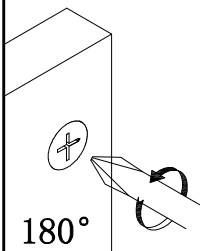
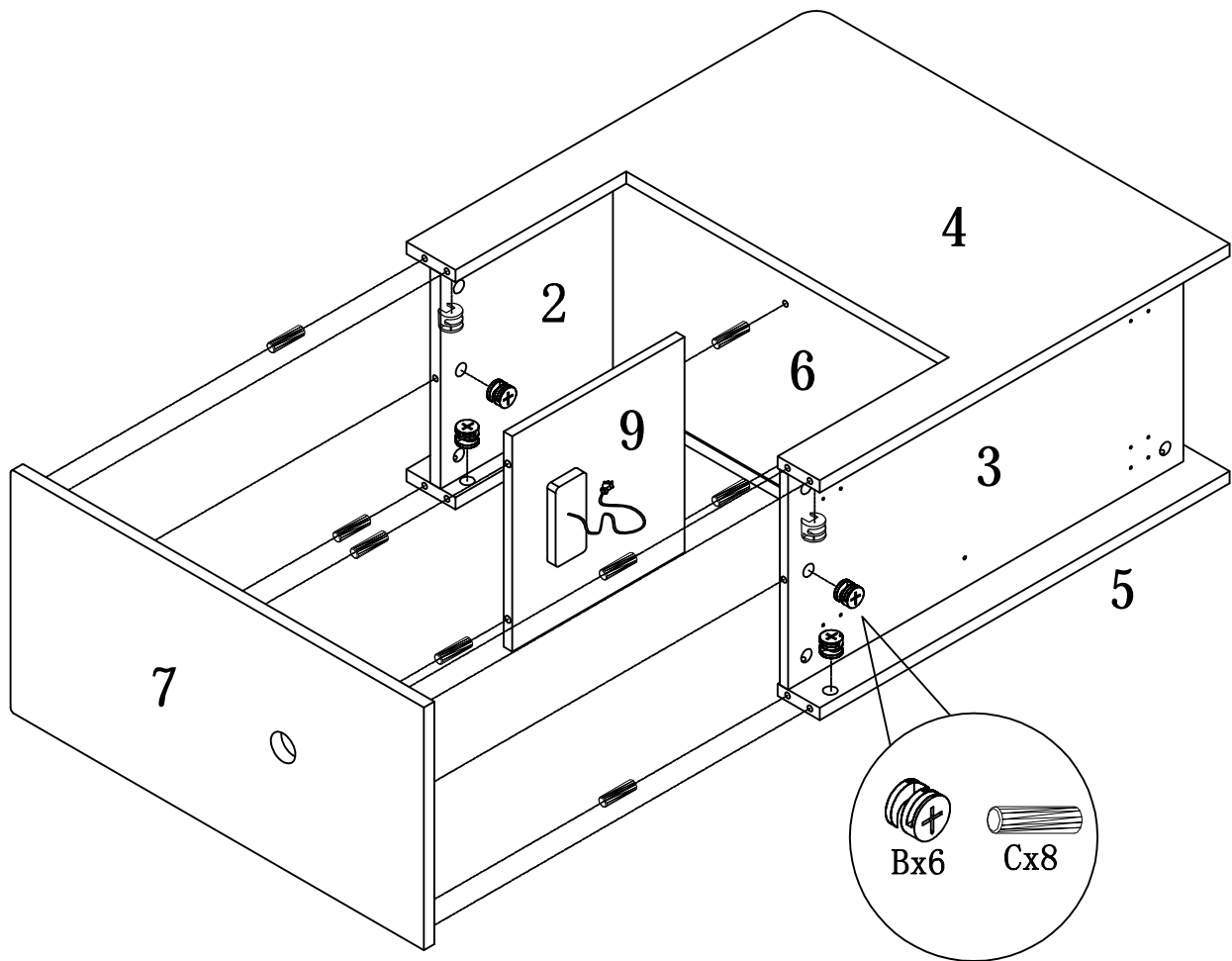
STEP 9 / ETAPE 9




TOOLS REQUIRED (NOT INCLUDED)
OUTILS REQUIS (NON COMPRIS)

ITEM NO/NO ARTICLE: LIAMBCST/253396

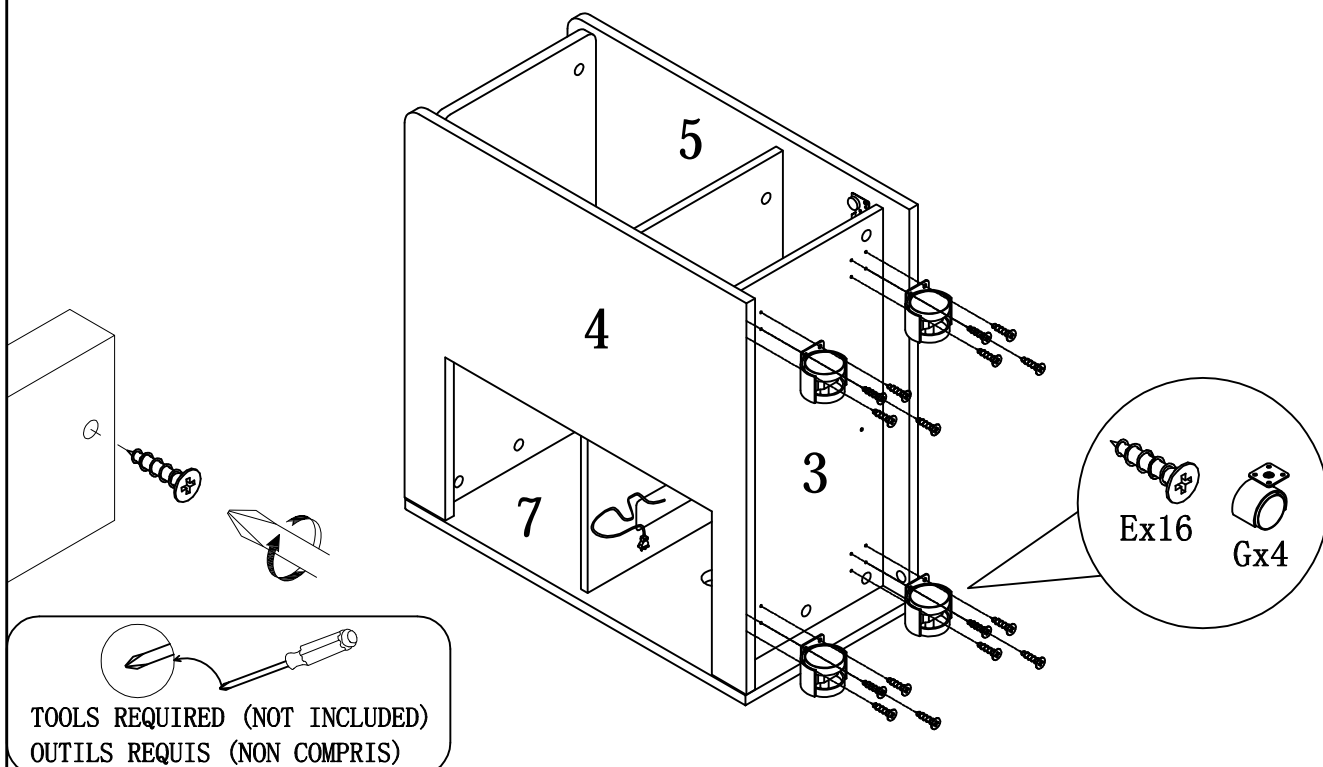
STEP 10 / ETAPE 10



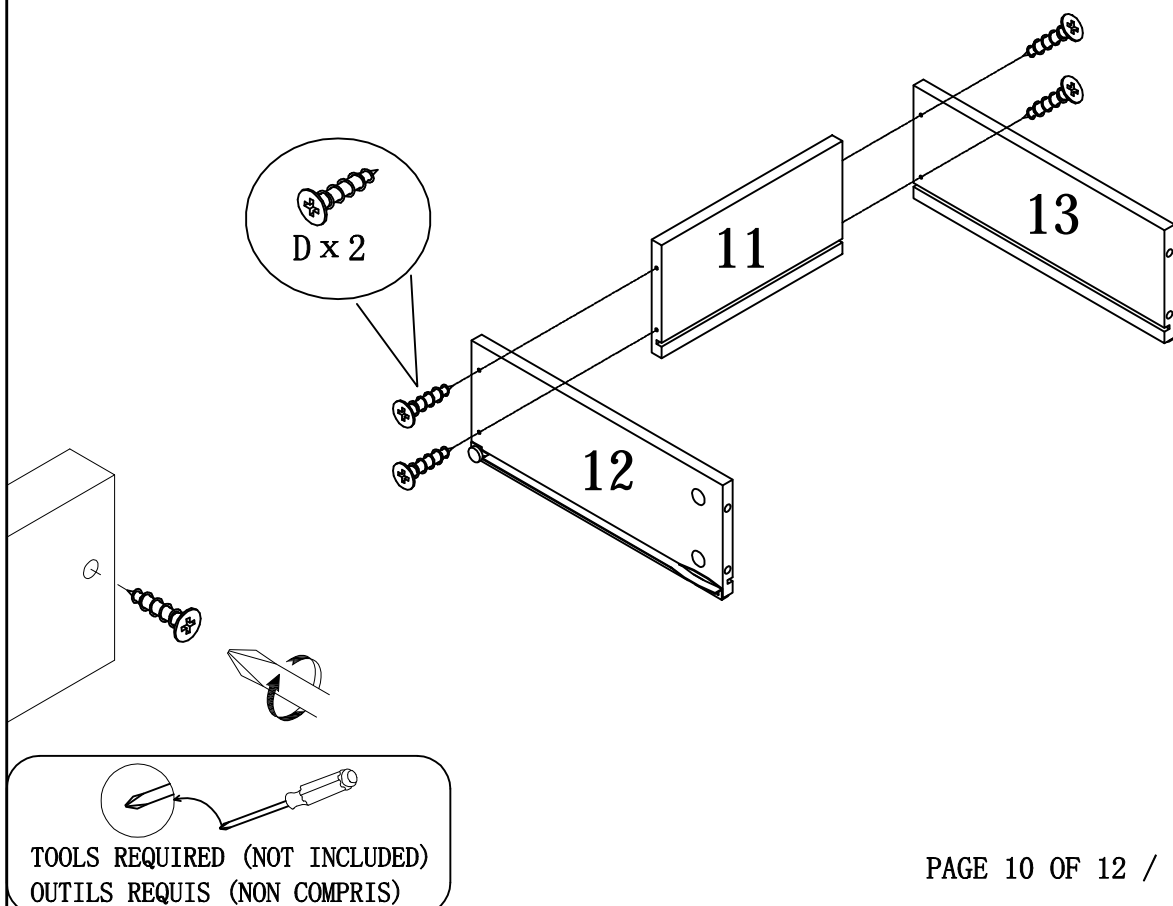

TOOLS REQUIRED (NOT INCLUDED)
OUTILS REQUIS (NON COMPRIS)

ITEM NO/NO ARTICLE: LIAMBCST/253396

STEP 11 / ETAPE 11

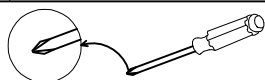
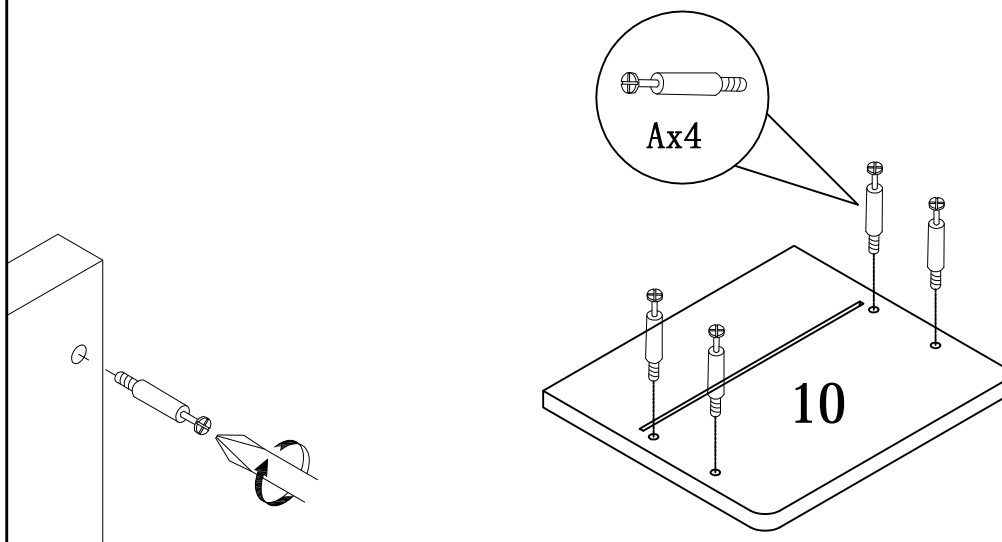


STEP 12 / ETAPE 12



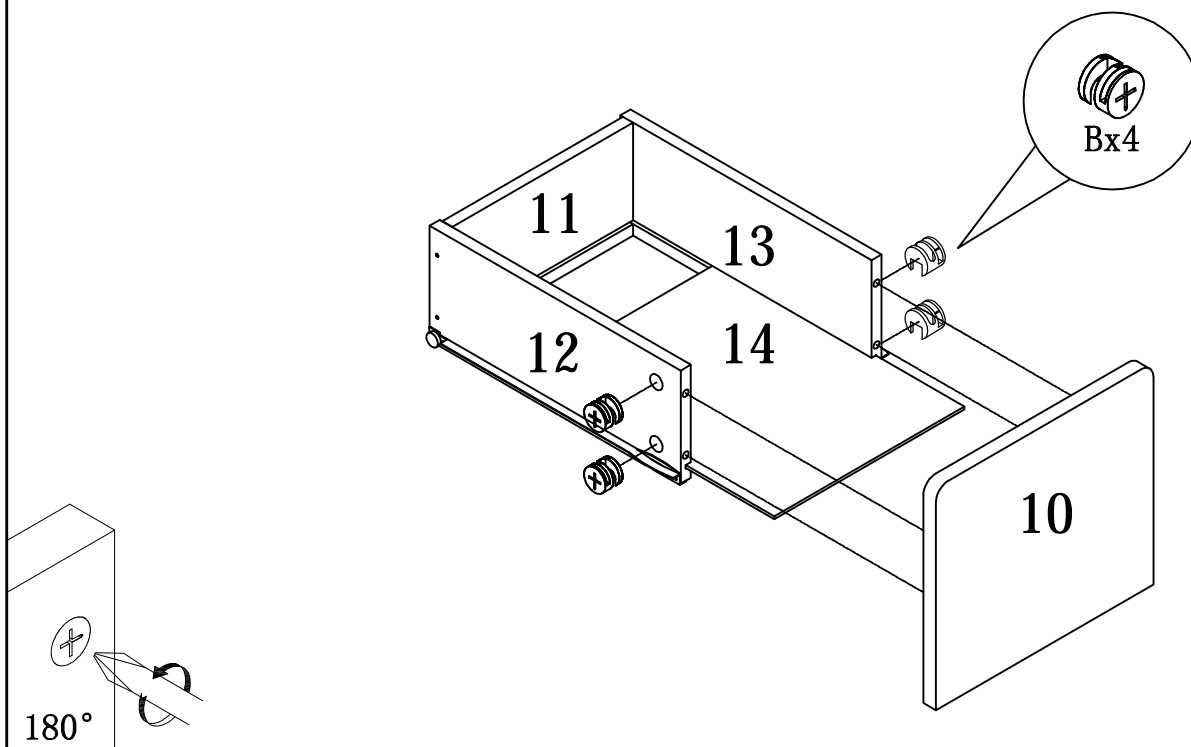
ITEM NO/NO ARTICLE: LIAMBCST/253396

STEP 13 / ETAPE 13



TOOLS REQUIRED (NOT INCLUDED)
OUTILS REQUIS (NON COMPRIS)

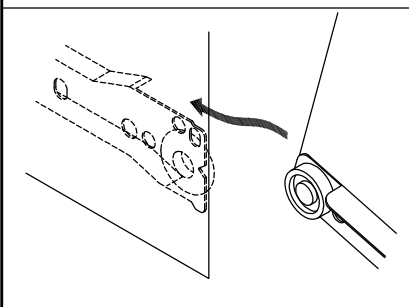
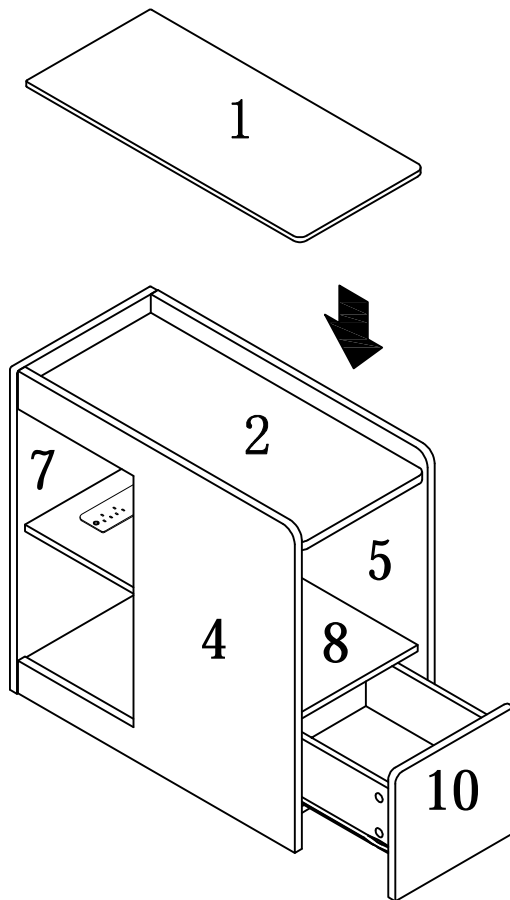
STEP 14 / ETAPE 14



TOOLS REQUIRED (NOT INCLUDED)
OUTILS REQUIS (NON COMPRIS)

ITEM NO/NO ARTICLE: LIAMBCST/253396

STEP 15 / ETAPE 15



STEP 16 / ETAPE 16

